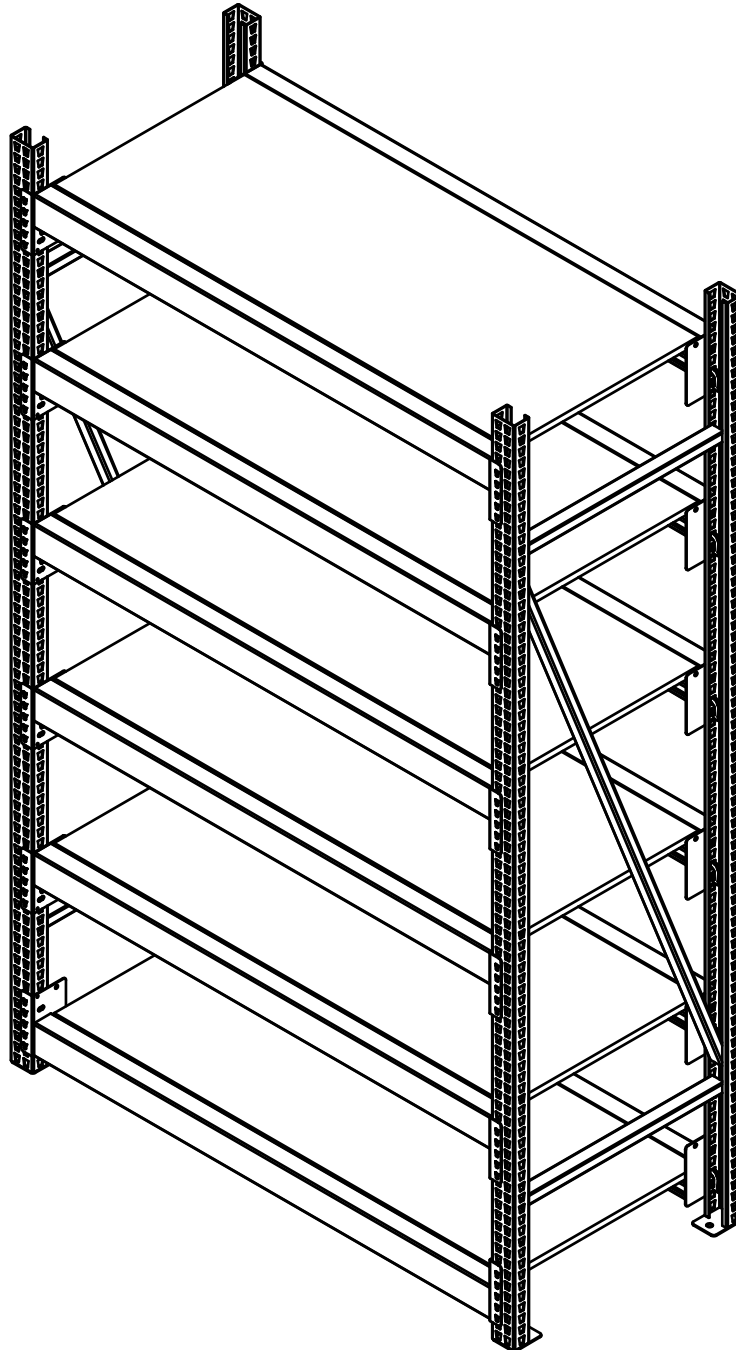
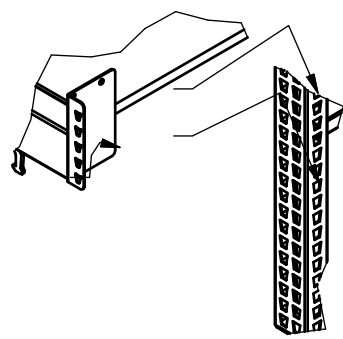
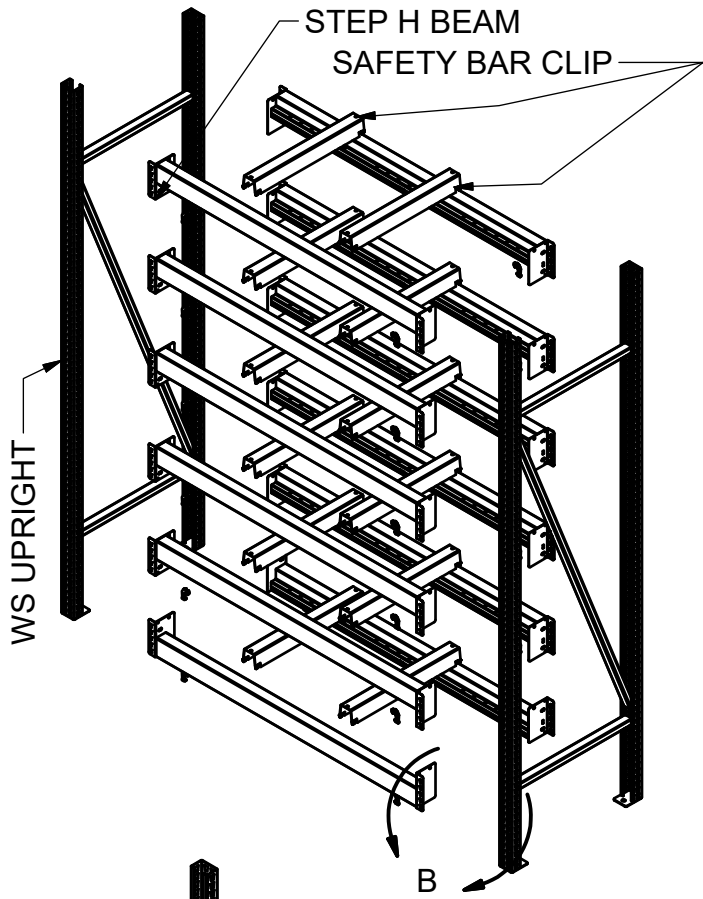
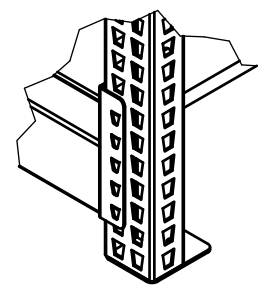


WS RACKING SPECIFICATION

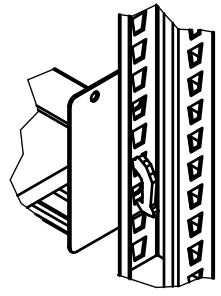




DETAIL B



DETAIL B
SCALE .15



DETAIL C

Minimum Deck Supports needed:

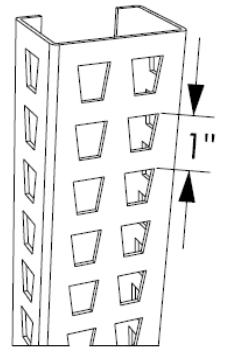
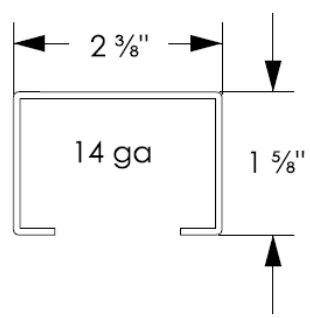
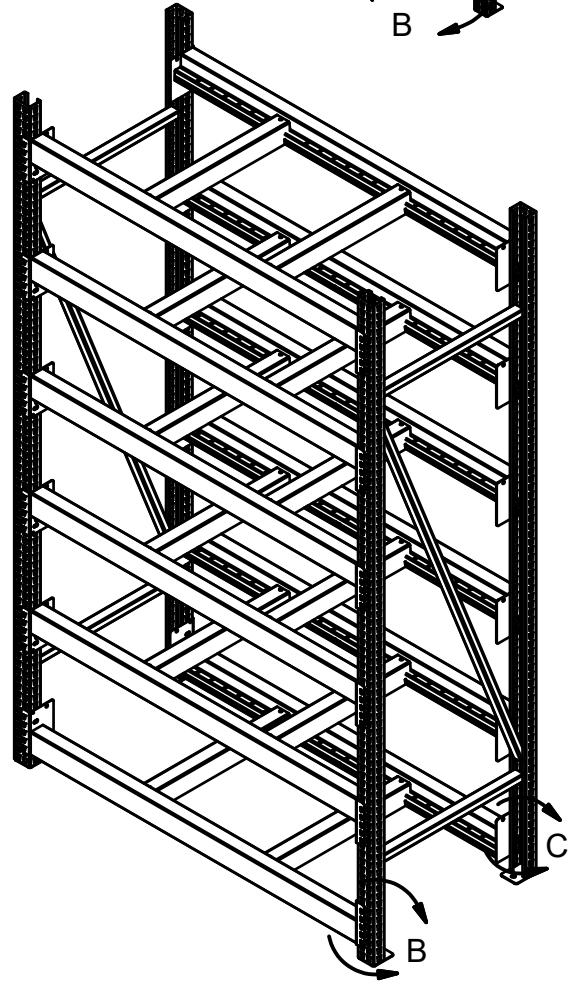
- 2 for 24"
- 2 for 36"
- 2 for 48"
- 3 for 60"
- 4 for 72"
- 4 for 96"

Manufactured in width of :

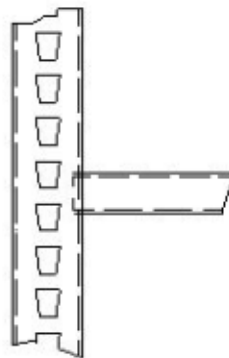
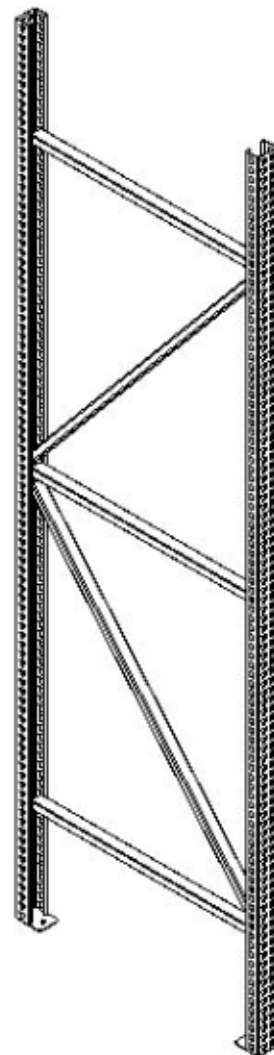
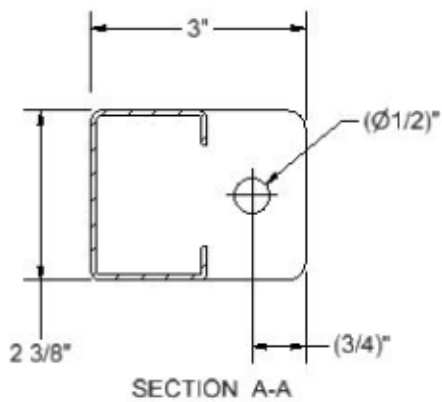
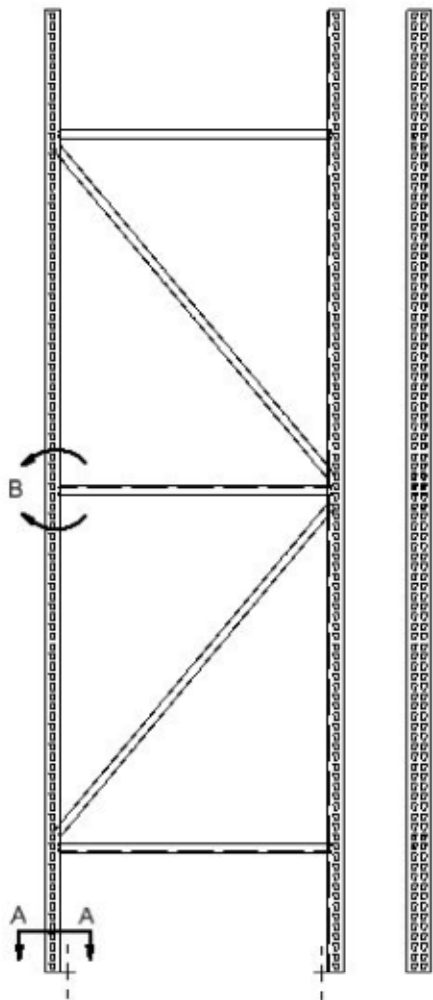
24", 30", 36", 42" et 48"

also available in the following heights :

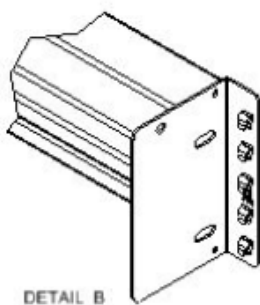
48", 54", 60", 66", 72", 84", 90", 96", 102"
and more. (Every 6")



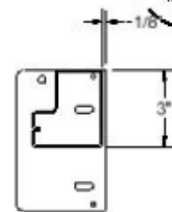
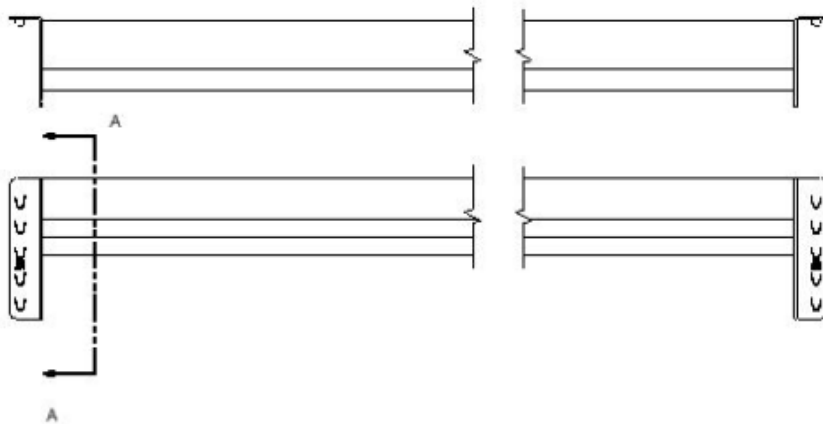
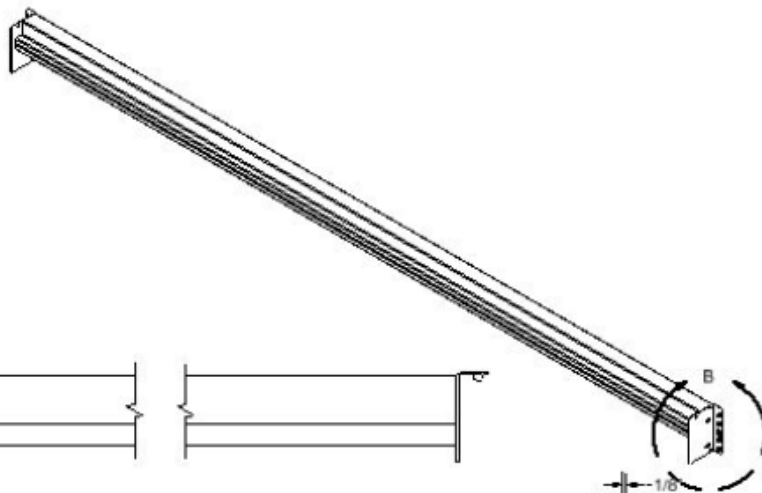
Adjustable every inches.
Commercial quality.



DETAIL B



DETAIL B



SECTION A-A